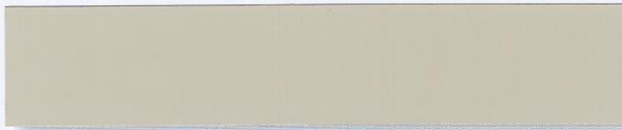


SLR & CLIP LOC II

29GA & 26GA Color Chart

Siliconized Polyester High Gloss Paint*

12" Wide 29GA Panel and 16" Wide 26GA Panel



Sandstone



Tan



Clay



Evergreen



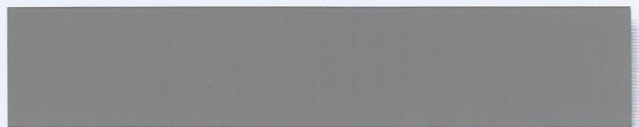
Burnished Slate



Ocean Blue



Dark Gray



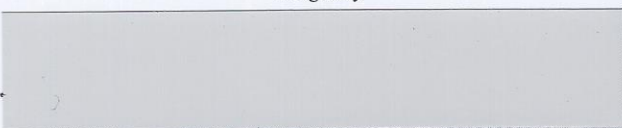
Light Gray



Burgundy



Patriot Red



Regal White



Black

* Some low sheen colors are available upon request.

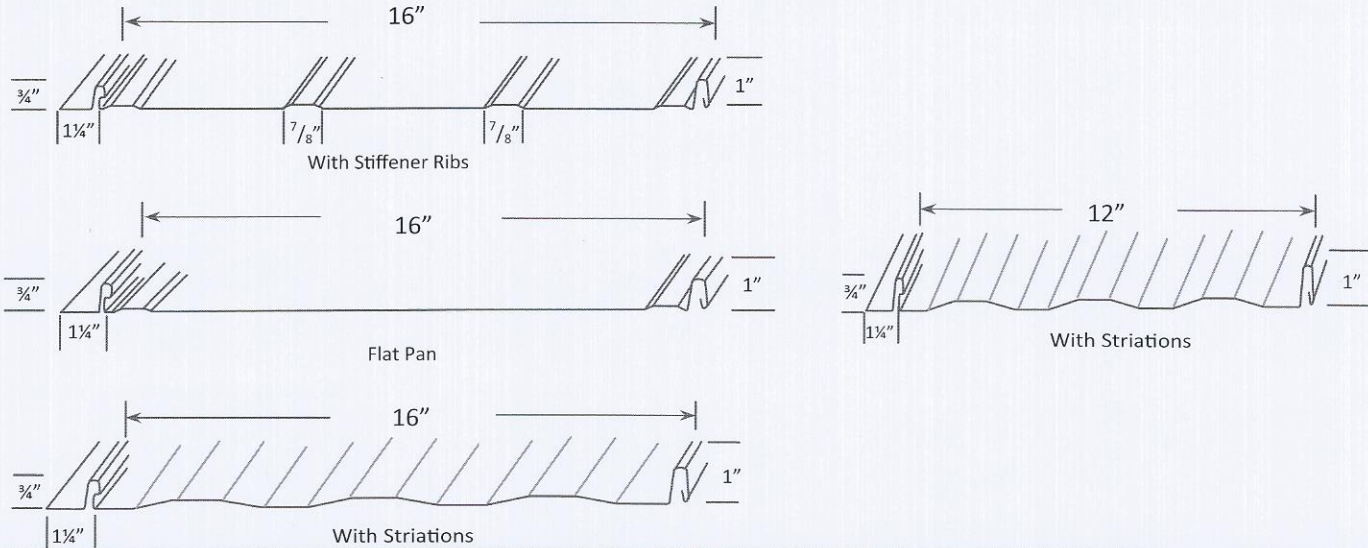
The colors on this card are as close to actual as color chip reproduction technology allows.
Coating samples on metal are available upon request.



Standing Loc Rib (SLR)

1" High Custom Length Concealed Fastener Panel

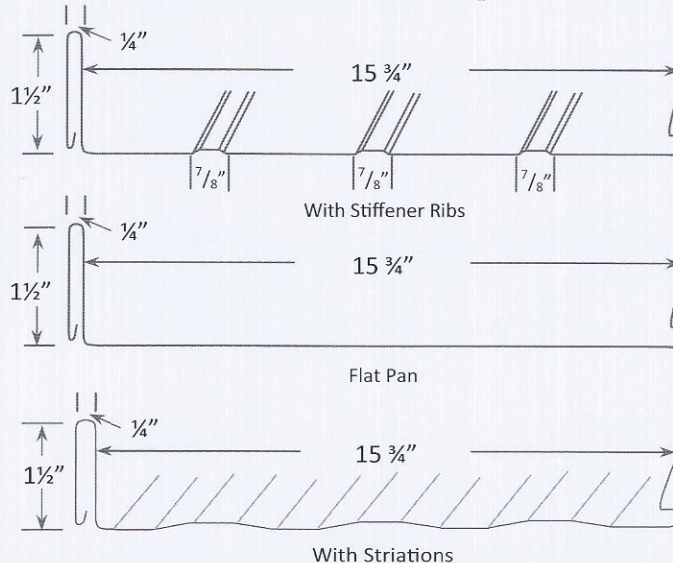
16" Panel only available in 26GA and 12" Panel only available in 29GA
(additional colors and 12" panel styles available in 24GA)



Clip Loc II

1-1/2" High Custom Length Clip Fastened Panel

Only available in 26GA (additional colors and 11-3/4" panel width available in 24GA)



SLR and Clip Loc II Panels feature AkzoNobel Ceram-A-Star 1050 Siliconized Polyester Paint System starting with a zinc phosphate pre-treatment followed by:

Top: .2 Mils Yellow Ultra Flex Primer
.8 Mils Siliconized Polyester
Bottom: .2 Mils Yellow Ultra Flex Primer
.3 Mils White Polyester Backer

Please specify with ribs, flat pan or with striations when ordering.

Manufactured by Jensen Bridge & Supply Company